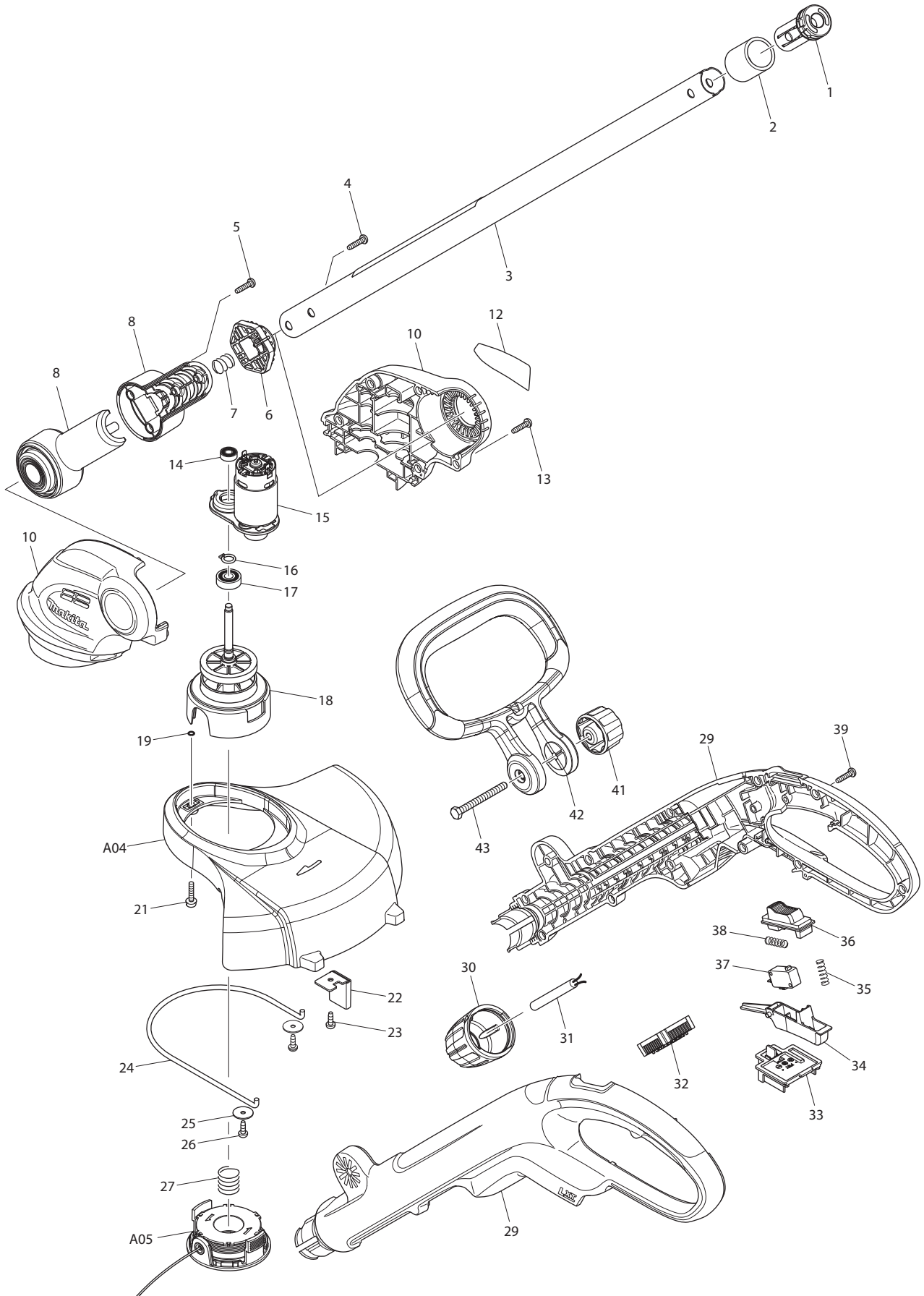




03 - 2012  
LXRU02Z  
18V LINE TRIMMER 10-1/4"



Item No	Type	Part No	Description	Qty	Unit
1		453357-2	PIPE CAP	1	PC.
2		422089-2	RUBBER SLEEVE 25	1	PC.
3		141425-0	PIPE25 COMPLETE	1	PC.
	INC.	890863-0	CAUTION LABE	1	PC.
4		265995-6	TAPPING SCREW 4X18	2	PC.
5		265995-6	TAPPING SCREW 4X18	2	PC.
6		451896-6	LOCK OFF BUTTON B	1	PC.
7		231113-8	COMPRESSION SPRING 12	1	PC.
8		188870-8	PIPE HOLDER SET	1	PC.
10		187413-3	MOTOR HOUSING SET	1	PC.
	INC.	263002-9	RUBBER PIN 4	2	PC.
	INC.	263005-3	RUBBER PIN 6	2	PC.
	INC.	931102-0	HEX. NUT M4	2	PC.
12		896766-6	NAME PLATE F/LXRU02	1	PC.
13		265995-6	TAPPING SCREW 4X18	5	PC.
14		210006-2	BALL BEARING 696ZZ	1	PC.
15		629932-8	DC MOTOR	1	PC.
16		961004-6	RETAINING RING S-8	1	PC.
17		211032-4	BALL BEARING 608ZZ	1	PC.
18		141338-5	GEAR SHAFT COMPLETE	1	PC.
19		213023-1	O RING 4	2	PC.
21		911139-3	PAN HEAD SCREW M4X20 WG	2	PC.
22		123169-4	CORD CUTTER ASSEMBLY	1	PC.
23		266020-6	TAPPING SCREW 4X12	1	PC.
24		326128-9	WIRE GUARD	1	PC.
25		267071-2	FLAT WASHER 4	2	PC.
26		266020-6	TAPPING SCREW 4X12	2	PC.
27		231352-0	COMPRESSION SPRING 17	1	PC.
29		187416-7	HANDLE SET	1	PC.
	INC.	263005-3	RUBBER PIN 6	2	PC.
30		453344-1	LOCK SLEEVE	1	PC.
31		699058-0	POWER SUPPLY CORD UNIT	1	PC.
32		620112-9	CONTROLLER	1	PC.
33		643852-2	TERMINAL	1	PC.
34		453338-6	SWITCH LEVER	1	PC.
35		233068-3	COMPRESSION SPRING 6	1	PC.
36		453339-4	LOCK OFF LEVER	1	PC.
37		651891-8	SWITCH V-15-3A6 SINGLE	1	PC.
38		233068-3	COMPRESSION SPRING 6	1	PC.
39		265995-6	TAPPING SCREW 4X18	11	PC.
41		264072-1	THUMB NUT M6	1	PC.
42		453340-9	FRONT GRIP	1	PC.
43		921382-6	HEX. BOLT M6X60	1	PC.
C01		872928-0	CARTON FOR LXRU02Z	1	PC.
D01		654079-9	INSULATED RECEPTACLE DF1.25	1	PC.
D02		654510-5	INSULATED CONNECTOR 5.5-SD	2	PC.

### **ACCESSORIES**

A01		125516-5	BAND ASSEMBLY(SHOULDER BELT)	1	PC.
A02		195246-2	SAFETY GOGGLE	1	PC.
A03		196148-5	NYLON CORD 1.65MM-15M SET	1	PC.
		195861-2	NYLON CORD 1.65MM-30M SET	1	PC.
A04		453353-0	SAFETY COVER	1	PC.
A05		196146-9	BUMP&FEED SPOOL SET (WITH 1.65MMX8M NYLON CORD)	1	PC.
A06	1	DC18RA	CHARGER DC18RA	1	PC.
	2	DC18RC	CHARGER DC18RC	1	PC.
		DC18SD	CHARGER DC18SD	1	PC.
		DC18SE	AUTOMOTIVE CHARGER DC18SE	1	PC.
		DC24SC	CHARGER DC24SC	1	PC.
		DC18RAKIT	CHARGER DC18RA + BATTERY BL1830 KIT	1	PC.

Item No	Type	Part No	Description	Qty	Unit
A07		194309-1	18V LI-ION BATTERY BL1815	1	PC.
		194428-3	18V LI-ION BATTERY BL1815 2/PK	1	PC.
		194604-9	18V LI-ION BATTERY BL1815 10/PK	1	PC.
		194205-3	18V LI-ION BATTERY BL1830	1	PC.
		194230-4	18V LI-ION BATTERY BL1830 2/PK	1	PC.
		194288-3	18V LI-ION BATTERY BL1830 10/PK	1	PC.